

A comprehensive selection of low maintenance durable curtain tracks for commercial and public environments.

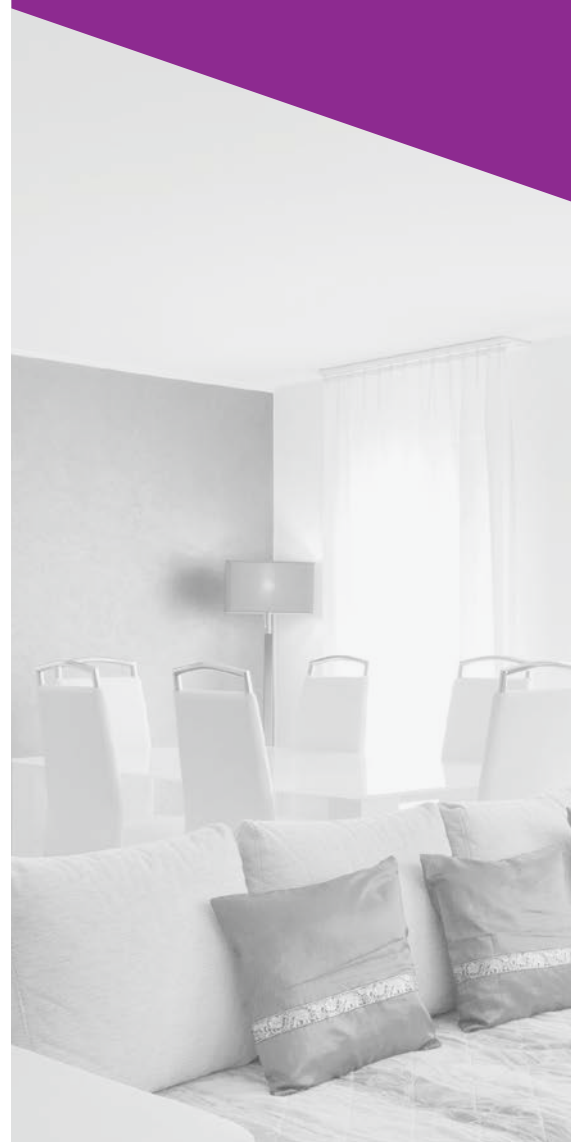
**yewdale.co.uk**

Hassle-free shading systems

# YewdaleVitesse® the curtain track system

A comprehensive selection of low maintenance durable curtain tracks for commercial and public environments.

Based around a quality aluminium core for maintenance-free and long life durability, coupled with robust plastic componentry, the YewdaleVitesse® system provides the perfect platform for your curtains to hang from.



## A Full Selection

Brought to you by a specialist shading and privacy manufacturer, the YewdaleVitesse® range of curtain tracks provides one of the most comprehensive solutions available. You'll find a track for almost every application, from the lightest of net tracks to heavy-duty corded and motorised tracks for large and heavy curtains.

## O&M Guide

All YewdaleVitesse® hand drawn curtain tracks are designed to require little or no maintenance. The tracks and components are made from durable materials that will not corrode in normal use. In the event of damage most components are replaceable. Tracks with gliders may be lubricated occasionally with a sparing application of silicone to retain sliding efficiency.

Tracks with roller runners should not be lubricated. Spare parts may be obtained from the dealers.

## Child Safety

Please ensure child safety device is used with cord drawn tracks. The cord tidy should be at a maximum distance from the control mechanism, keeping the loop taut (not under excessive tension however as this could negatively affect the longevity and operation of the track).

## The full range YewdaleVitesse®

### Hand Drawn Curtain Tracks

4

Aluminium profiled, smooth operation curtain tracks for hand operation use - often the preferred option in public areas where many different people may draw the curtains.

### Cord Drawn Curtain Tracks

14

Aluminium profiled track with an easy-to-operate cord system adds a touch of luxury to a very functional track. The smooth and quiet operation of these tracks makes them at home in the most demanding environments.

### Electric Curtain Track

20

Designed for strength and reliability, giving years of trouble-free use, these electric aluminium curtain tracks represent the ultimate in curtain control.



# YewdaleVitesse® Hand Drawn Curtain Tracks

The YewdaleVitesse® range of curtain tracks is one of the most comprehensive available. There is a track to suit nearly any environment and application. From hospitals to homes, theatres to schools, these hand-drawn tracks excel.

The hand-drawn tracks shown here are each designed to be strong, reliable, easy-to-operate and provide years of trouble-free service. Using aluminium, these tracks exude quality, even down to the high-grade plastic components.

When installed in a public area, peace of mind comes with knowing the blind is robust enough to withstand the most strenuous of uses. High traffic areas that use a curtain are best-suited to a hand drawn operated track, for ease of use and convenience.

The hand-drawn curtain tracks compiled in this section serve anything from net curtains to heavy theatre curtains, so we're confident you'll find the product you require. YewdaleVitesse® curtain tracks are available in fully-made-to-measure form – completely ready for installing, or in a comprehensive individual component form for ease of use within any in-house manufacturing facility. The full range is distributed globally throughout a network of dealers and customers providing an unrivalled level of support, and with experienced installation and service teams to exceed your expectations.

<b>5000W Hand Drawn</b>	<b>5</b>
<b>5200W Hand Drawn</b>	<b>6</b>
<b>5400W Hand Drawn</b>	<b>7</b>
<b>5600W Hand Drawn</b>	<b>8</b>
<b>5800W Hand Drawn</b>	<b>9</b>
<b>6200W Hand Drawn</b>	<b>10</b>
<b>6400W Hand Drawn</b>	<b>11</b>
<b>6700W Hand Drawn</b>	<b>12</b>
<b>6800W Hand Drawn</b>	<b>13</b>



This curtain track range comes with a full Lifetime Warranty as standard.





## Section shown full size



## 5000W Hand Drawn

### Features:

The YewdaleVitesse® 5000W hand drawn curtain track is a top-fix track as standard. Its white aluminium track, with a neat and unobtrusive design, is designed for use with lightweight curtains and net curtains. Gliders are supplied at a quantity of 16 per linear metre.

### Benefits:

This exceptionally low profile track can be used for almost every lightweight screening application. With its 125mm centre pre-drilled nature, it requires no fixing brackets, and lends itself to being hidden away. Widely used in motor vehicles, caravans, boats and aircraft.

### Options:

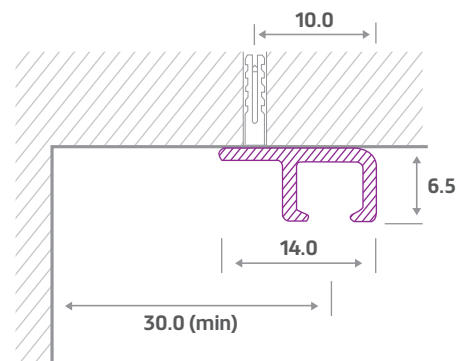
Available in any RAL colour of your choice.

### Specification:

The YewdaleVitesse® 5000W hand drawn curtain track as manufactured by Yewdale, +44 (0)1268 570900. Slim, top-fix aluminium track with white powder-coated finish. Complete with end-stops, and gliders at 16 per metre.

Curtain Hook Load Capacity - Each hook can support a load of up to 1 kg.

### Top Fix:



## 5000W Specification Guide

Fixing Centres (Max.)	Bend Compatibility	Radius (Min.)	Arch Compatibility	Sync Glide Compatibility	*Recommended Max. Curtain weight
300mm	X	n/a	X	X	10kg

\*Recommended Max. Curtain Weights are a guide only and are subject to suitable fixings, track dimensions, and curtain configurations.

# YewdaleVitesse® Curtain Tracks

YewdaleVitesse® Hand Drawn Curtain Tracks



## 5200W Hand Drawn

### Features:

The YewdaleVitesse® 5200W hand drawn curtain track is a top-fix track as standard, available to be fitted by direct ceiling fixing or top-fix brackets. Its white rounded aluminium profile is designed for use with light to medium-weight curtains and net curtains. Gliders are supplied at a quantity of 16 per linear metre.

### Benefits:

The 5200W is a smooth and attractive hand drawn track that can be bent to shape as required. The profile is pre-drilled at 200mm centres for ease of fixing or fixed with separate top-fix brackets. This track can be used for many light to medium-weight screening applications due to its rounded profiling.

### Options:

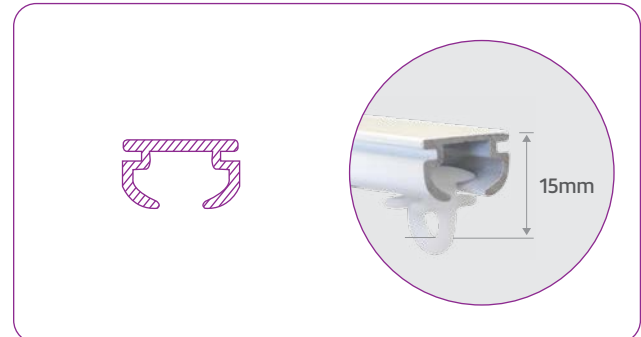
Can be bent. Available in any RAL colour of your choice.

### Specification:

The YewdaleVitesse® 5200W hand drawn curtain track as manufactured by Yewdale, +44 (0)1268 570900. Rounded, top-fix aluminium track with white powder-coated finish. Complete with end-stops, and gliders at 16 per metre.

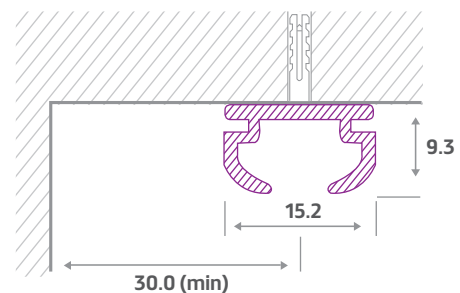
Curtain Hook Load Capacity - Each hook can support a load of up to 1 kg.

## Section shown full size



5201W glider

### Top Fix:



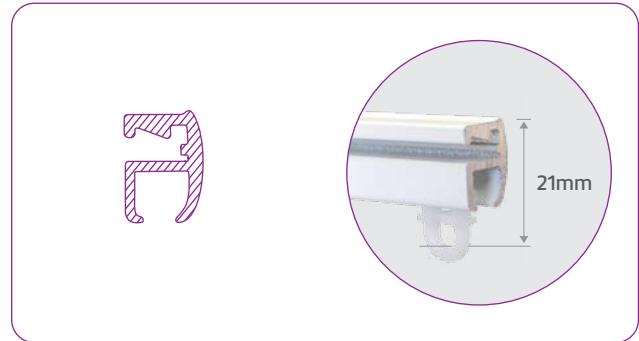
## 5200W Specification Guide

Fixing Centres (Max.)	Bend Compatibility	Radius (Min.)	Arch Compatibility	Sync Glide Compatibility	*Recommended Max. Curtain weight
400mm	✓	80mm	✗	✓	10kg

\*Recommended Max. Curtain Weights are a guide only and are subject to suitable fixings, track dimensions, and curtain configurations.



## Section shown full size



5001W  
glider

## 5400W Hand Drawn

### Features:

The YewdaleVitesse® 5400W curtain track is hand drawn and of aluminium construction as standard. Its white aluminium profile has been developed to support lightweight curtains and net curtains. Gliders are supplied at a quantity of 16 per linear metre.

### Benefits:

Featuring a neat, contemporary profile, this 5400W track is able to blend effortlessly into the simplest of surroundings yet still make a statement of its own right if required. This hand drawn track can be fixed with face-fix or top-fix brackets for a host of mounting requirements.

### Options:

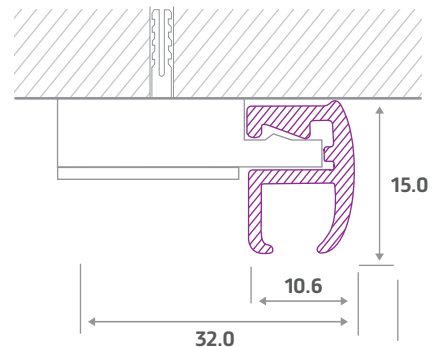
Available in any RAL colour of your choice.

### Specification:

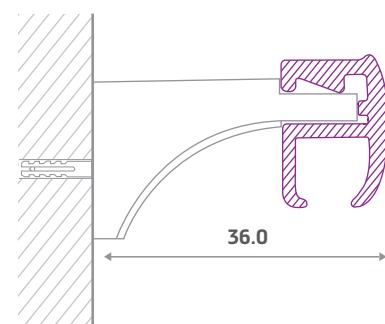
The YewdaleVitesse® 5400W hand drawn curtain track as manufactured by Yewdale, +44 (0)1268 570900. Aluminium track with white powder-coated finish, fixed with face/top-fix brackets as applicable. Complete with end-stops, and gliders at 16 per metre.

Curtain Hook Load Capacity - Each hook can support a load of up to 1 kg.

### Top Fix:



### Face Fix:



## 5400W Specification Guide

Fixing Centres (Max.)	Bend Compatibility	Radius (Min.)	Arch Compatibility	Sync Glide Compatibility	*Recommended Max. Curtain weight
400mm	X	120cm	X	X	10kg

\*Recommended Max. Curtain Weights are a guide only and are subject to suitable fixings, track dimensions, and curtain configurations.

# YewdaleVitesse® Curtain Tracks

YewdaleVitesse® Hand Drawn Curtain Tracks



## 5600W Hand Drawn

### Features:

The YewdaleVitesse® 5600W curtain track is hand drawn as standard. Its slim yet robust aluminium profile is designed to be used with medium-weight curtains, and in both face and top-fix applications. Gliders are supplied at a quantity of 16 per linear metre.

### Benefits:

Featuring a very slim profile, the attractive nature of this 5600W track lends itself to both domestic and contract environments. Suitable to be bent to your choice of shape as required. Can be fixed with face-fix or top-fix brackets for a host of mounting requirements. May be used with deep curtain headings.

### Options:

Can be bent. Available in any RAL colour of your choice.

### Specification:

The YewdaleVitesse® 5600W hand drawn curtain track as manufactured by Yewdale, +44 (0)1268 570900. Linear aluminium track with white powder-coated finish, fixed with face/top-fix brackets as applicable. Complete with end-stops, and gliders at 16 per metre.

Curtain Hook Load Capacity - Each hook can support a load of up to 1 kg.



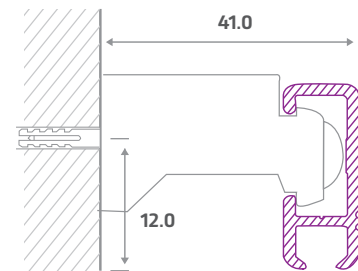
Find this product on NBS Source

## Section shown full size

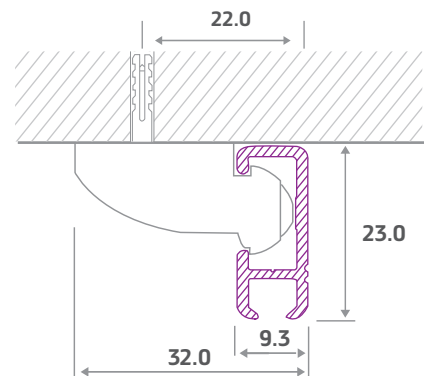


5001W glider

### Face Fix:



### Top Fix:



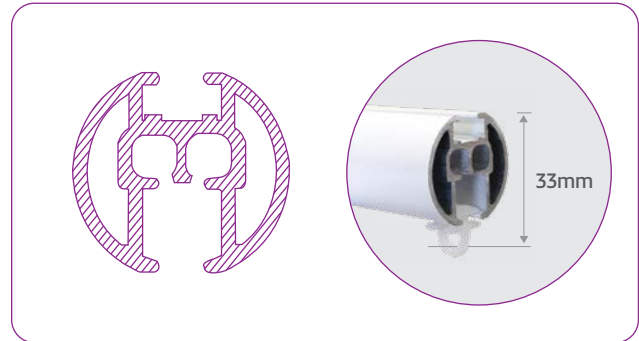
## 5600W Specification Guide

Fixing Centres (Max.)	Bend Compatibility	Radius (Min.)	Arch Compatibility	Sync Glide Compatibility	*Recommended Max. Curtain weight
600mm	✓	120mm	✗	✗	10kg

\*Recommended Max. Curtain Weights are a guide only and are subject to suitable fixings, track dimensions, and curtain configurations.



## Section shown full size



## 5800W Hand Drawn

### Features:

The YewdaleVitesse® 5800W curtain track is hand operated as standard. Its white aluminium profile is designed to be used with medium-weight curtains. Gliders supplied at a quantity of 16 per linear metre.

### Benefits:

The strong aluminium profile of this 5800W track makes it a popular choice for contractors requiring a confident system to depend on. It can be face and top-fixed or suspended from hanger rods. This hand drawn track that can be bent to shape as required.

### Options:

Can be bent. Available in any RAL colour of your choice.

### Specification:

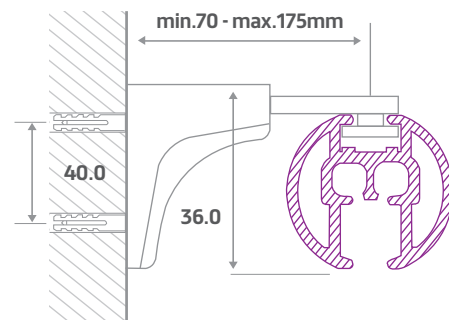
The YewdaleVitesse® 5800W hand drawn curtain track as manufactured by Yewdale, +44 (0)1268 570900. Strong aluminium track with white powder-coated finish, fixed with face/top-fix brackets as applicable. Complete with end-stops, and gliders at 16 per metre.

Curtain Hook Load Capacity - Each hook can support a load of up to 1 kg.

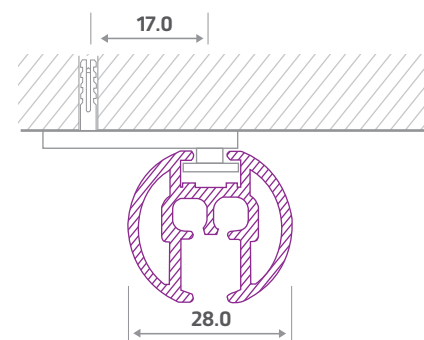


5201W  
glider

### Face Fix:



### Top Fix:



## 5800W Specification Guide

Fixing Centres (Max.)	Bend Compatibility	Radius (Min.)	Arch Compatibility	Sync Glide Compatibility	*Recommended Max. Curtain weight
800mm	✓	255mm	✗	✗	11kg

\*Recommended Max. Curtain Weights are a guide only and are subject to suitable fixings, track dimensions, and curtain configurations.

# YewdaleVitesse® Curtain Tracks

YewdaleVitesse® Hand Drawn Curtain Tracks



## 6200W Hand Drawn

### Features:

The YewdaleVitesse® 6200W curtain track is hand operated as standard. Its white aluminium profile is designed to be used with medium to heavy-weight curtains. It can be face and top-fixed, both by strong steel bracketry. This hand drawn track that can be bent to shape as required.

### Benefits:

The robust aluminium profile of this 6200W track makes it a popular choice for contractors requiring a system to depend on for medium to heavy curtains. It can be face and top-fixed, both by strong steel bracketry. This hand drawn track that can be bent to shape as required.

Approved to work with the YewdaleKestrel® Anti-Ligature system.

### Options:

Can be bent. Available in any RAL colour of your choice. Approved to work with YewdaleKestrel® anti-ligature system.

### Specification:

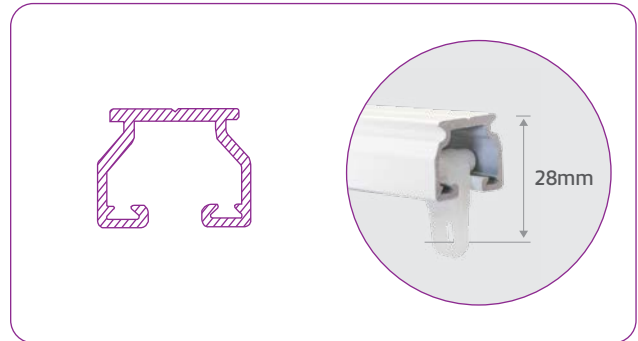
The YewdaleVitesse® 6200W hand drawn curtain track as manufactured by Yewdale, +44 (0)1268 570900. Very sturdy aluminium track with white powder-coated finish, fixed with face/top-fix brackets as applicable. Complete with end-stops, and low friction roller runners at 16 per metre.

Curtain Hook Load Capacity - Each hook can support a load of up to 1 kg.



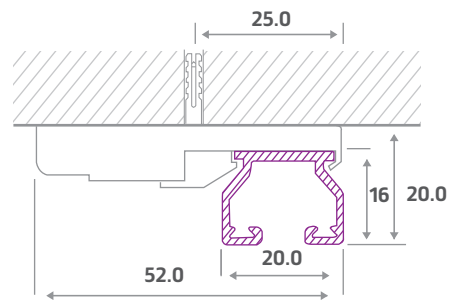
Find this product on NBS Source

## Section shown full size

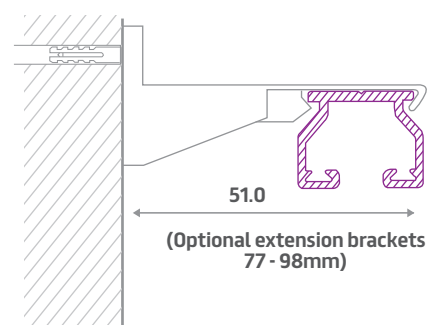


6201W roller runner

### Top Fix:



### Face Fix:



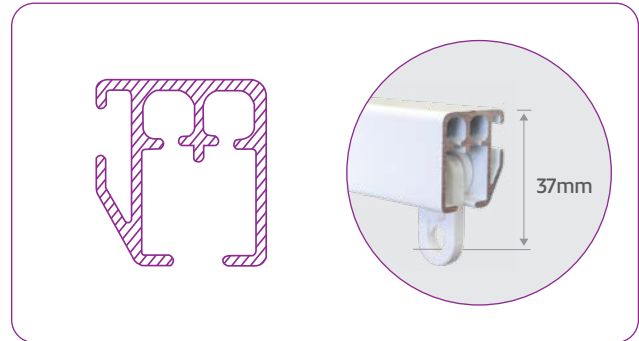
## 6200W Specification Guide

Fixing Centres (Max.)	Bend Compatibility	Radius (Min.)	Arch Compatibility	Sync Glide Compatibility	*Recommended Max. Curtain weight
800mm	✓	175mm	✗	✗	25kg

\*Recommended Max. Curtain Weights are a guide only and are subject to suitable fixings, track dimensions, and curtain configurations.



## Section shown full size



## 6400W Hand Drawn

### Features:

The YewdaleVitesse® 6400W curtain track is hand operated as standard. Its heavy-duty, white aluminium profile is designed to be used with large or heavy curtains. Accommodates heavy duty roller runners at 12 per linear metre.

### Benefits:

The heavy duty aluminium profile of this 6400W track makes it a popular for both high-end domestic and contract applications. It can be face and top-fixed. This smooth-running, reliable hand drawn track that can be bent to shape as required.

### Options:

Can be bent. Available in any RAL colour of your choice.

### Specification:

The YewdaleVitesse® 6400W hand drawn curtain track as manufactured by Yewdale, +44 (0)1268 570900. Heavy duty aluminium track with white powder-coated finish, fixed with face/top-fix brackets as applicable. Complete with end-stops, and heavy duty roller runners at 12 per metre.

Curtain Hook Load Capacity - Each hook can support a load of up to 1 kg.

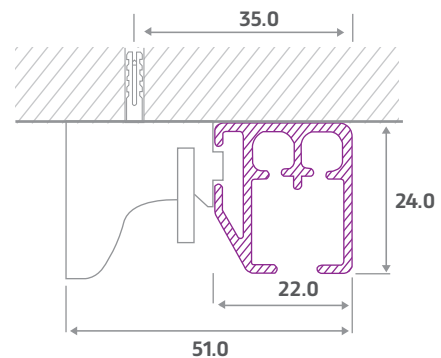


Find this product on NBS Source

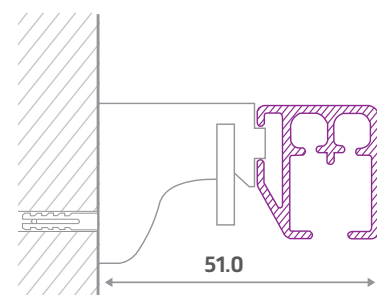


8502 roller runner

### Top Fix:



### Face Fix:



(Optional extension brackets up to 154mm)

## 6400W Specification Guide

Fixing Centres (Max.)	Bend Compatibility	Radius (Min.)	Arch Compatibility	Sync Glide Compatibility	*Recommended Max. Curtain weight
600mm	✓	255mm	✗	✓	25kg

\*Recommended Max. Curtain Weights are a guide only and are subject to suitable fixings, track dimensions, and curtain configurations.

# YewdaleVitesse® Curtain Tracks



## 6700W Hand Drawn

### Features:

The YewdaleVitesse® 6700W curtain track is hand operated as standard. Its white aluminium profile is designed to be used with large stage curtains. Heavy duty roller runners complete the offering at a quantity of 12 per linear metre.

### Benefits:

The exceptionally heavy duty aluminium construction of this 6700W track has proved ideal for stage curtains for auditoria and lecture theatres. It is usually fixed securely in position by top-fix as standard, proving reassuring support. However alternative brackets are available as required. This hand drawn track that can be bent to shape as required. Complete with hassle-free heavy duty roller runners.

### Options:

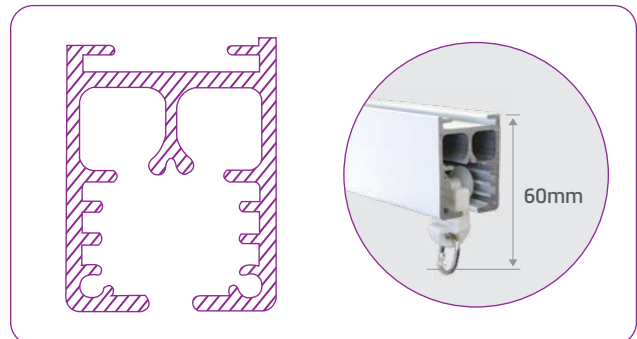
Can be bent. Available in any RAL colour of your choice.

### Specification:

The YewdaleVitesse® 6700W hand drawn curtain track as manufactured by Yewdale, +44 (0)1268 570900. Heavy duty aluminium track with white powder-coated finish, fixed with face/top-fix brackets as applicable. Complete with end-stops, and hassle-free heavy duty roller runners at 12 per metre.

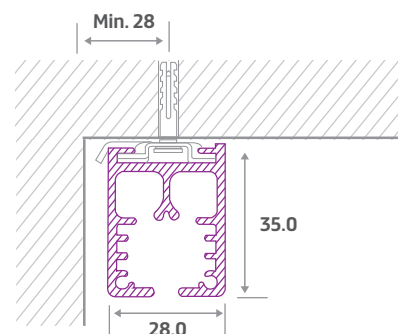
Curtain Hook Load Capacity - Each hook can support a load of up to 1 kg.

## Section shown full size

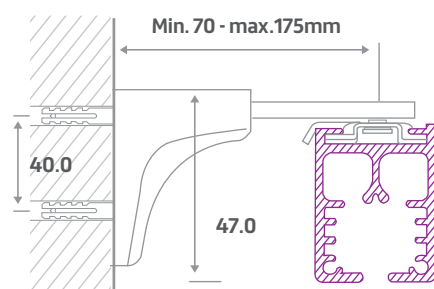


**8582**  
roller runner

### Top Fix:



### Face Fix:



## 6700W Specification Guide

Fixing Centres (Max.)	Bend Compatibility	Radius (Min.)	Arch Compatibility	Sync Glide Compatibility	*Recommended Max. Curtain weight
800mm	✓	255mm	✗	✗	60kg

\*Recommended Max. Curtain Weights are a guide only and are subject to suitable fixings, track dimensions, and curtain configurations.



## 6800W Hand Drawn

### Features:

The YewdaleVitesse® 6800W curtain track is hand operated as standard. Its white aluminium, double channel profile is designed to be used with very large / heavy stage curtains. Heavy duty roller runners at 12 per linear metre complete this heavy duty solution.

### Benefits:

The exceptionally heavy duty aluminium construction of this 6800W track has proved ideal for stage curtains for auditoria and lecture theatres. Although it is usually fixed out of sight and secured in position by top-fix method, it is still a stylish modern profile with clean aesthetics. A very strong curtain track and complete with hassle-free heavy duty roller runners.

### Options:

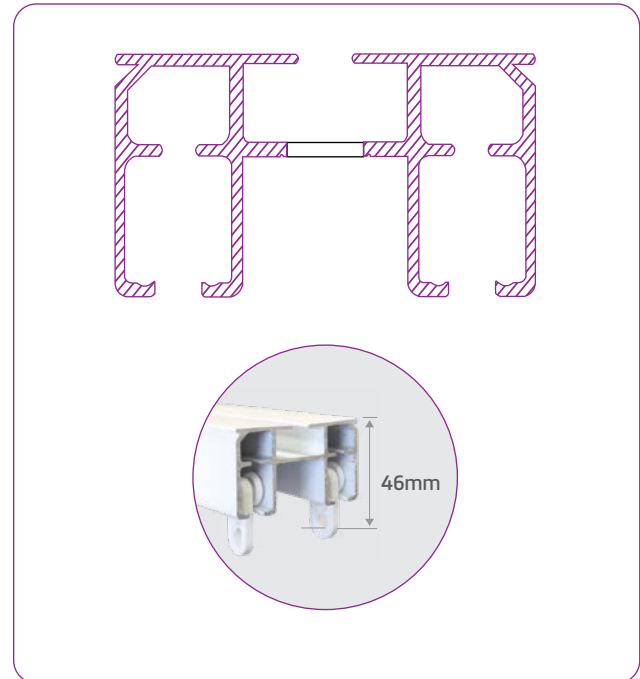
Available in any RAL colour of your choice.

### Specification:

The YewdaleVitesse® 6800W hand drawn curtain track as manufactured by Yewdale, +44 (0)1268 570900. Heavy duty, double channel aluminium track with white powder-coated finish, fixed by top-fix application. Complete with end-stops, and hassle-free heavy duty roller runners at 12 per metre.

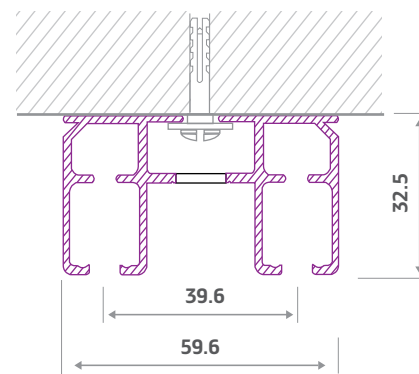
Curtain Hook Load Capacity - Each hook can support a load of up to 1 kg.

## Section shown full size



8502  
roller runner

### Top Fix:



## 6800W Specification Guide

Fixing Centres (Max.)	Bend Compatibility	Radius (Min.)	Arch Compatibility	Sync Glide Compatibility	*Recommended Max. Curtain weight
800mm	X	n/a	X	✓	70kg

\*Recommended Max. Curtain Weights are a guide only and are subject to suitable fixings, track dimensions, and curtain configurations.

## YewdaleVitesse® Cord Drawn Curtain Tracks

The cord drawn curtain tracks shown here are designed to be strong and reliable, and will give years of trouble free use. They are all manufactured from aluminium, with high-grade plastic components, and are available with a choice of sturdy and unobtrusive brackets.

YewdaleVitesse® cord drawn curtain tracks are widely specified, in areas where ease of use is a primary consideration. Their smooth, quiet operation makes them at home in the most demanding environments, whilst still functioning exactly how a curtain track should. When selecting a track, window size, curtain weight, usage intensity, fixing requirements and aesthetics will enable an informed choice to be made, thus ensuring that YewdaleVitesse® cord drawn curtain tracks will give optimum performance and lasting satisfaction.

YewdaleVitesse® curtain tracks are available in fully made-to-measure form – completely ready for installing, or in a comprehensive form for ease of use within any in-house manufacturing facility. The full range is distributed globally through a network of dealers and customers providing an unrivalled level of support, and with experienced installation and service teams to exceed your expectations.

<b>7000W Cord Drawn</b>	<b>15</b>
<b>7400W Cord Drawn</b>	<b>16</b>
<b>7600W Cord Drawn</b>	<b>17</b>
<b>7700W Cord Drawn</b>	<b>18</b>
<b>7800W Cord Drawn</b>	<b>19</b>

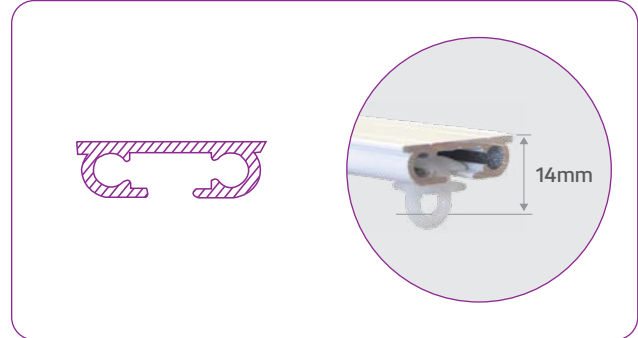


This curtain track range comes with a full Lifetime Warranty as standard.





## Section shown full size



## 7000W Cord Drawn

### Features:

The YewdaleVitesse® 7000W cord drawn curtain track is a top-fix track as standard. Its slim white aluminium track, with a neat and unobtrusive design, is designed for use with light to medium-weight curtains. Self-lubricating polyethylene gliders are supplied at a quantity of 16 per linear metre.

### Benefits:

As an exceptionally low profile track, this white aluminium track can be used for almost every lightweight screening application requiring cord drawn operation. With its 250mm centre pre-drilled nature, it requires no fixing brackets although top-fix click brackets are available and lends itself to arched requirements. This track boasts the smallest possible dimensions for a corded track and lends itself to being hidden away from view should such be required.

### Options:

Can be arched. Available in any RAL colour of your choice.

### Specification:

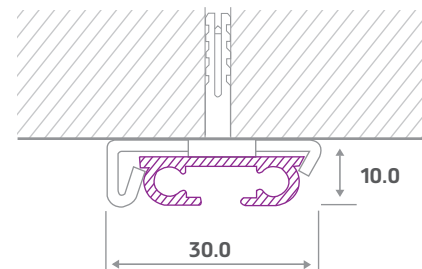
The YewdaleVitesse® 7000W cord drawn curtain track as manufactured by Yewdale, +44 (0)1268 570900. Ultra slim, top-fix aluminium track with white powder-coated finish and click brackets as applicable. Complete with end-pulleys, operating cord, and self-lubricating gliders at 16 per metre.

Curtain Hook Load Capacity - Each hook can support a load of up to 1 kg.

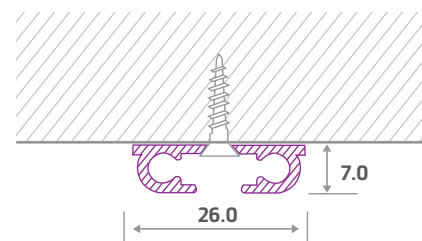


5201W  
glider

### Top Fix:



### Top Fix:



## 7000W Specification Guide

Fixing Centres (Max.)	Bend Compatibility	Radius (Min.)	Arch Compatibility	Sync Glide Compatibility	*Recommended Max. Curtain weight
400mm	X	n/a	✓	X	10kg

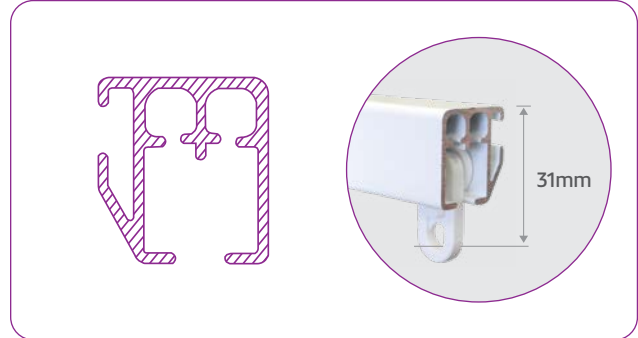
\*Recommended Max. Curtain Weights are a guide only and are subject to suitable fixings, track dimensions, and curtain configurations.

# YewdaleVitesse® Curtain Tracks

YewdaleVitesse® Cord Drawn Curtain Tracks



## Section shown full size



## 7400W Cord Drawn

### Features:

The YewdaleVitesse® 7400W cord drawn curtain track can be top-fixed or face-fixed as standard. Its heavy duty white aluminium track, with a neat square design, is designed for use with large or heavy curtains. Heavy duty roller runners are supplied at a quantity of 12 per linear metre.

### Benefits:

This heavy duty white aluminium track can be used for many large/heavy curtain applications, both commercial and domestic, requiring cord drawn operation. Suited for both top and face-fixing scenarios, and can be used as a curved track, this best-selling cord drawn solution finds a home in a wide variety of environments.

### Options:

Can be bent. Available in any RAL colour of your choice.

### Specification:

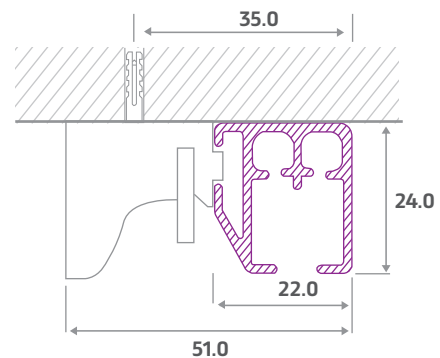
The YewdaleVitesse® 7400W cord drawn curtain track as manufactured by Yewdale, +44 (0)1268 570900. Heavy duty aluminium track with white powder-coated finish and top / face-fix brackets as applicable. Complete with end-pulleys, operating cord, and heavy duty roller runners at 12 per metre.

Curtain Hook Load Capacity - Each hook can support a load of up to 1 kg.

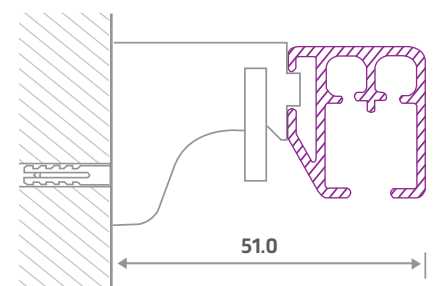


8502 roller runner

### Top Fix:



### Face Fix:



(Optional extension brackets up to 185mm)



Find this product on NBS Source

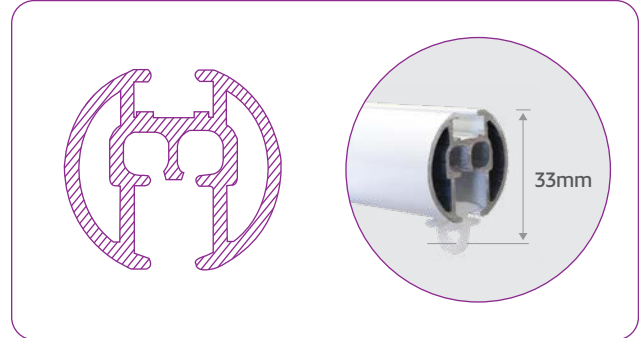
## 7400W Specification Guide

Fixing Centres (Max.)	Bend Compatibility	Radius (Min.)	Arch Compatibility	Sync Glide Compatibility	*Recommended Max. Curtain weight
600mm	✓	255mm	✗	✓	25kg

\*Recommended Max. Curtain Weights are a guide only and are subject to suitable fixings, track dimensions, and curtain configurations.



## Section shown full size



## 7600W Cord Drawn

### Features:

The YewdaleVitesse® 7600W cord drawn curtain track can be top-fixed or face-fixed as standard. Its stylish, round white aluminium track is designed to be used with medium to large curtains. Self-lubricating polyethylene gliders are supplied at a quantity of 16 per linear metre.

### Benefits:

The modern profile of this round white aluminium track can be used for many contract and domestic environments requiring cord drawn operation. Suited for both top and face-fixing scenarios, including availability for use as a curved track, this stylish cord drawn solution offers a neat alternative to standard square profiled options.

### Options:

Can be bent. Available in any RAL colour of your choice.

### Specification:

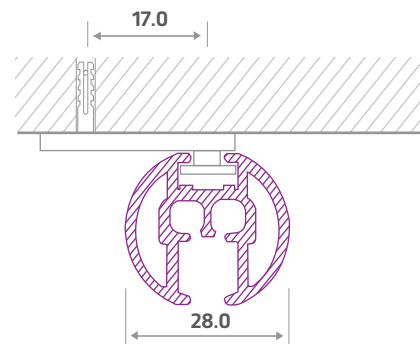
The YewdaleVitesse® 7600W cord drawn curtain track as manufactured by Yewdale, +44 (0)1268 570900. Round aluminium track with white powder-coated finish and top / face-fix brackets as applicable. Complete with end-pulleys, operating cord, and gliders at 16 per metre.

Curtain Hook Load Capacity - Each hook can support a load of up to 1 kg.

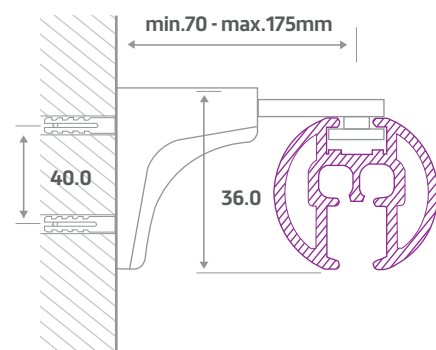


5201W  
glider

### Top Fix:



### Face Fix:



## 7600W Specification Guide

Fixing Centres (Max.)	Bend Compatibility	Radius (Min.)	Arch Compatibility	Sync Glide Compatibility	*Recommended Max. Curtain weight
800mm	✓	255mm	✗	✓	10kg

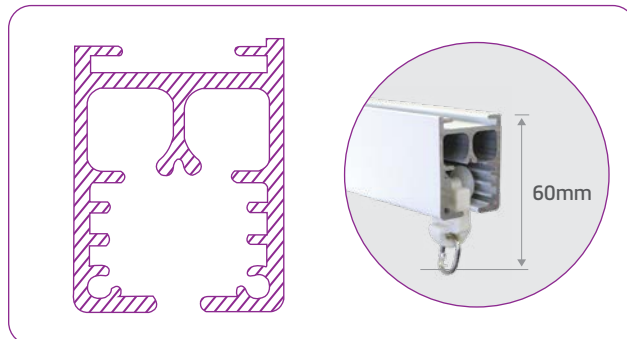
\*Recommended Max. Curtain Weights are a guide only and are subject to suitable fixings, track dimensions, and curtain configurations.

# YewdaleVitesse® Curtain Tracks

YewdaleVitesse® Cord Drawn Curtain Tracks



## Section shown full size



8582 roller runner

## 7700W Cord Drawn

### Features:

The YewdaleVitesse® 7700W cord drawn curtain track is a top-fix track as standard. Its heavy duty white aluminium track is designed for use with large or heavy curtains. Heavy duty roller runners are supplied at a quantity of 12 per linear metre.

### Benefits:

This heavy duty white aluminium track can be used for most large/heavy curtain applications, both commercial and domestic, requiring cord drawn operation. Although best suited for top-fix mounting, this heavy duty system track is designed for large curtain spans in both top and face-fix scenarios. Perfectly suited to bespoke curved opportunities and operated by a positive pre-tensioned cord arrangement. Used regularly in lecture theatres and large stage areas, you will find that this system is an answer to all your similar requirements.

### Options:

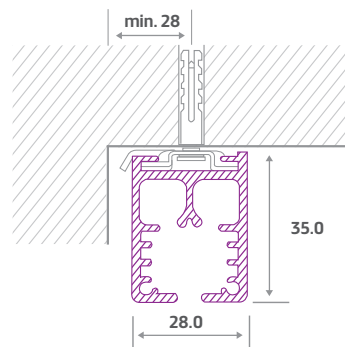
Face-fix brackets available. Can be bent. Available in any RAL colour of your choice.

### Specification:

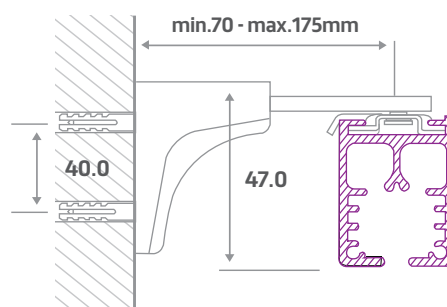
The YewdaleVitesse® 7700W cord drawn curtain track as manufactured by Yewdale, +44 (0)1268 570900. Heavy duty aluminium track with white powder-coated finish and top / face-fix brackets as applicable. Complete with end-pulleys, pre-tensioned operating cord, and heavy duty roller runners at 12 per metre.

Curtain Hook Load Capacity - Each hook can support a load of up to 1 kg.

### Top Fix:



### Face Fix:



## 7700W Specification Guide

Fixing Centres (Max.)	Bend Compatibility	Radius (Min.)	Arch Compatibility	Sync Glide Compatibility	*Recommended Max. Curtain weight
800mm	✓	255mm	✗	✗	55kg

\*Recommended Max. Curtain Weights are a guide only and are subject to suitable fixings, track dimensions, and curtain configurations.



## 7800W Cord Drawn

### Features:

The YewdaleVitesse® 7800W cord drawn curtain track is a direct top-fix track as standard. Its heavy duty, double channel white aluminium track is designed for use with both large and heavy curtains, across large spans. Heavy duty roller runners are supplied at a quantity of 12 per linear metre.

### Benefits:

This is the ultimate solution in the cord drawn track sector. Mounted directly through the track by top-fix method, this exceptionally heavy duty, double channelled white aluminium track has been developed to offer a hassle-free cord drawn solution to join large, heavy curtains across wide open spaces. Suitable for both commercial and domestic environments due to its modest profile, and operated by a positive pre-tensioned cord arrangement, we challenge you to find better system!

### Options:

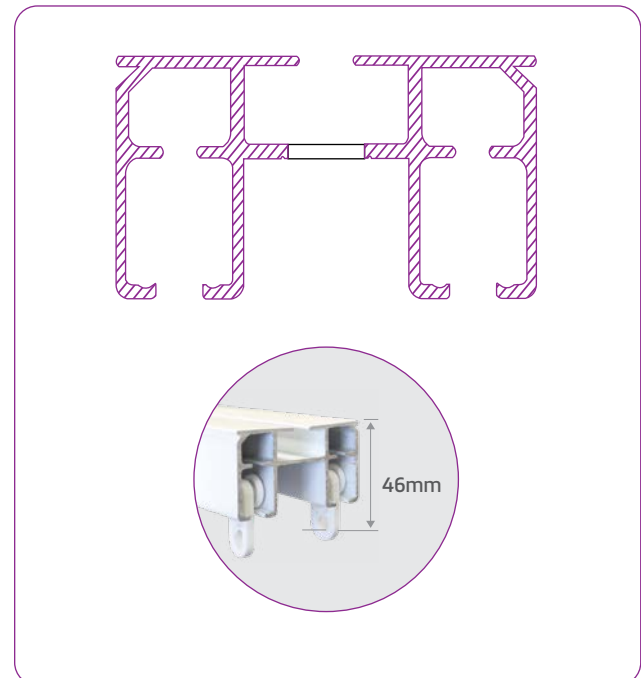
Available in any RAL colour of your choice.

### Specification:

The YewdaleVitesse® 7800W cord drawn curtain track as manufactured by Yewdale, +44 (0)1268 570900. Heavy duty, double channelled aluminium track with white powder-coated finish for direct top-fix mounting application. Complete with end-pulleys, pre-tensioned operating cord, and heavy duty roller runners at 12 per metre.

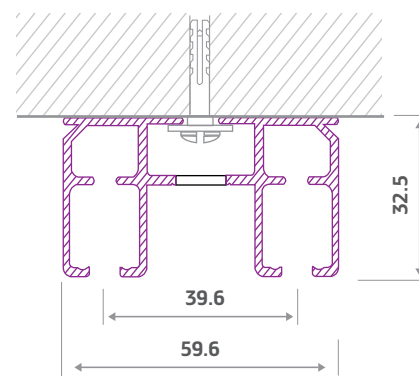
Curtain Hook Load Capacity - Each hook can support a load of up to 1 kg.

## Section shown full size



8502  
roller runner

### Top Fix:



## 7800W Specification Guide

Fixing Centres (Max.)	Bend Compatibility	Radius (Min.)	Arch Compatibility	Sync Glide Compatibility	*Recommended Max. Curtain weight
800mm	X	n/a	X	✓	65kg

\*Recommended Max. Curtain Weights are a guide only and are subject to suitable fixings, track dimensions, and curtain configurations.

## YewdaleVitesse® Electric Curtain Tracks

YewdaleVitesse® electric curtain tracks represent the ultimate in curtain control. At the touch of the button your windows can be transformed, drawing or closing the curtains. This is particularly ideal for people with mobility issues, windows in awkward locations, or simply a modern interior looking for the latest home technology.

A large range of control systems are available, from a simple wall switch to radio remote handsets, or even complete integration with intelligent building control.

The electric track shown in the range is designed for strength and reliability and will give years of trouble-free use. They are manufactured from aluminium with high-grade plastic components and sturdy, unobtrusive brackets.

YewdaleVitesse® curtain tracks are available in fully made to measure form – completely ready for installing, or in a comprehensive individual component form. This provides ease-of-use within any in-house manufacturing facility. The full range is distributed globally through a network of dealers and customers providing an unrivalled level of support, and with experienced installation and service teams to exceed your expectations.

### 8500W Electric

21

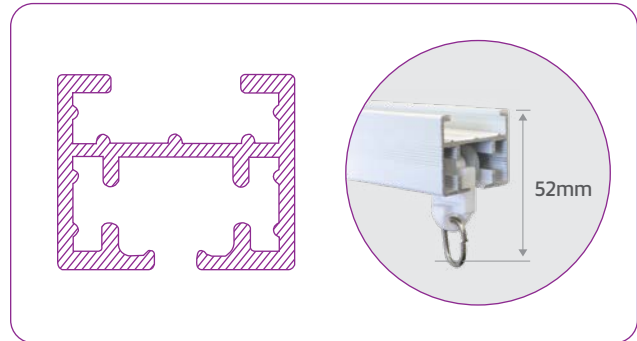


This curtain track range comes with a full Lifetime Warranty as standard.





## Section shown full size



## 8500W Electric

### Features:

The YewdaleVitesse® 8500W electric curtain track can be top-fixed or face-fixed as standard. Its heavy duty white aluminium track, with a compact square design, is designed for use with large and heavy curtains. Heavy duty roller runners are supplied at a quantity of 12 per linear metre.

### Benefits:

This robust white aluminium track, offering a low-cost motorisation opportunity with high curtain weight capacity and simple control mechanism, comes with a powerful 45 watt motor as standard. The complete solution is a combination of individual qualities - roller runners, for long-term, lubricant-free operation; heavy duty steel overlap, for light to heavy-weight use requirements; low noise belt and easy to set limit stops, for subtle and efficient home / office automation - to name a few. Couple these benefits with the capacity for it to be curved into a bespoke shape track, this popular solution provides you with a simple, yet reliable, built-in package.

### Options:

Can be bent. Available in any RAL colour of your choice. Radio remote and group control options available.

### Specification:

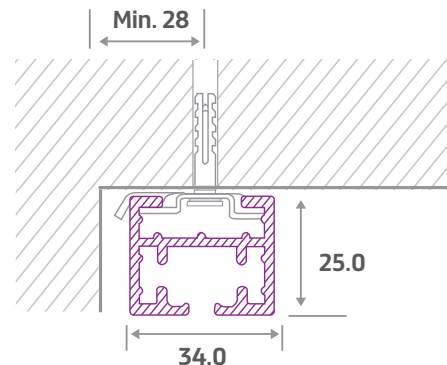
The YewdaleVitesse® 8500W electric curtain track as manufactured by Yewdale, +44 (0)1268 570900. Heavy duty aluminium track with white powder-coated finish, top-fix turning key operation / face-fix brackets as applicable and robust 45w 240v AC motor. Complete with heavy duty roller runners at 12 per metre.

Curtain Hook Load Capacity - Each hook can support a load of up to 1 kg.

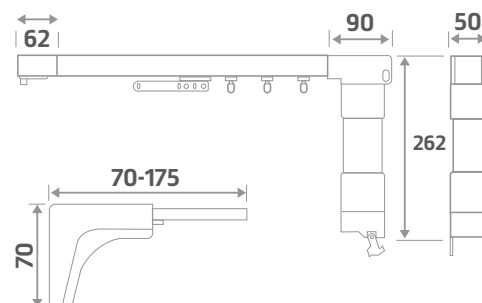


8582  
roller runner

### Top Fix:



### Dimensions:

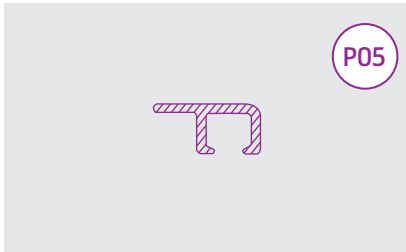


## 8500W Specification Guide

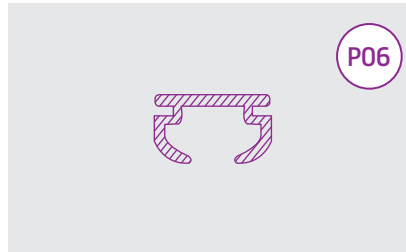
Fixing Centres (Max.)	Bend Compatibility	Radius (Min.)	Arch Compatibility	Sync Glide Compatibility	*Recommended Max. Curtain weight	Max. Width
600mm	✓	255mm	✗	✓	50kg	12m

\*Recommended Max. Curtain Weights are a guide only and are subject to suitable fixings, track dimensions, and curtain configurations.

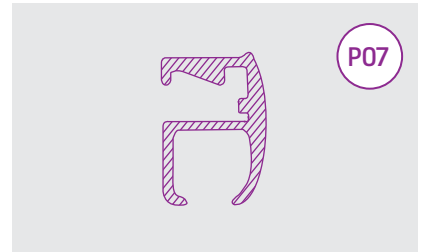
5000W - Hand Drawn



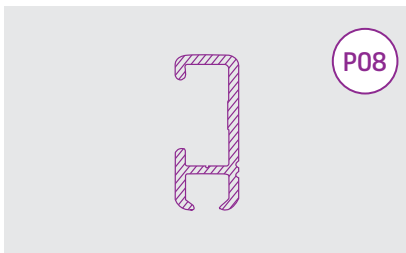
5200W - Hand Drawn



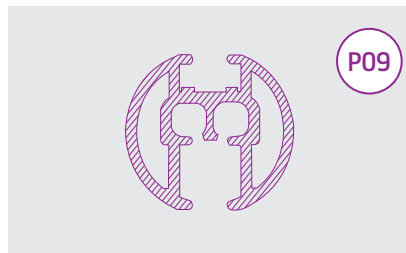
5400W - Hand Drawn



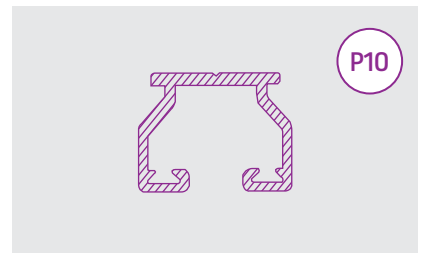
5600W - Hand Drawn



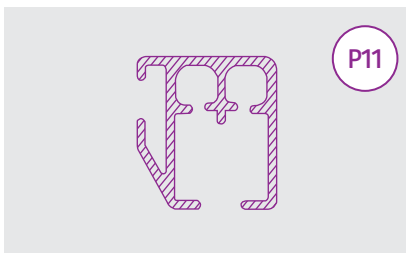
5800W - Hand Drawn



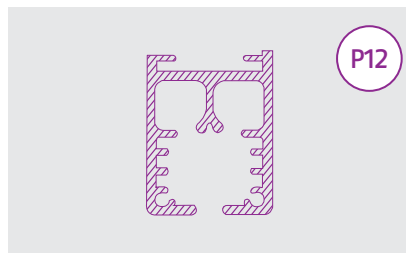
6200W - Hand Drawn



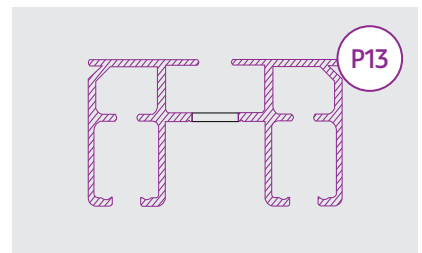
6400W - Hand Drawn



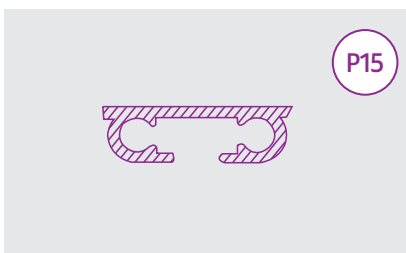
6700W - Hand Drawn



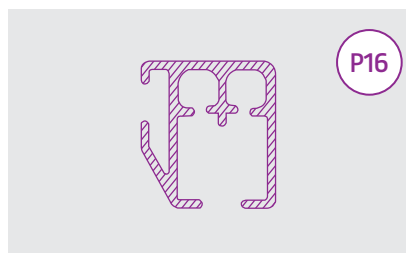
6800W - Hand Drawn



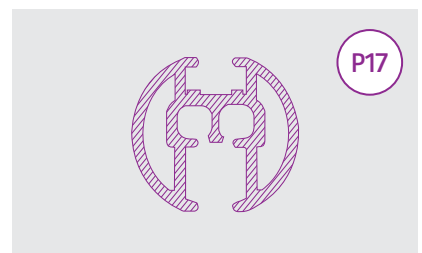
7000W - Cord Drawn



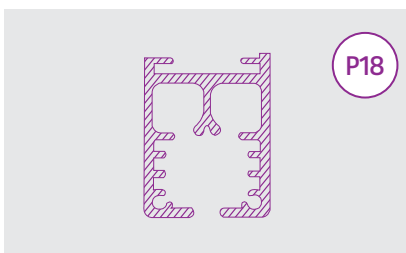
7400W - Cord Drawn



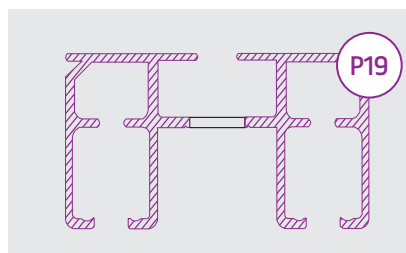
7600W - Cord Drawn



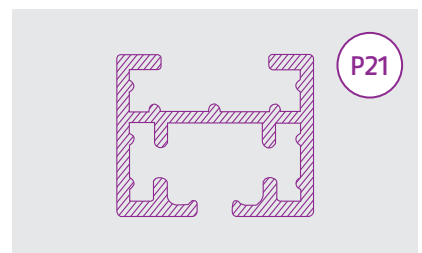
7700W - Cord Drawn



7800W - Cord Drawn



8500W - Electric



Please note profiles shown are as a guide and may not be full size. For full size drawings please see profile page.

# yewdale Vitesse® your track to success

A concise approach to a broad spectrum of commercial curtain track requirements with simplistic control options designed for almost every application.

For your  
**FREE** samples  
please contact  
our sales team  
today!

CI/SIB 1976 reference by SIB Agency		
(76.7)	X	



**Head Office:**  
 Enterprise Way,  
 Wickford, Essex, SS11 8DH  
**Call:** +44 (0)1268 570900  
**Email:** sales@yewdale.co.uk

For more information on all Yewdale products, please call the sales department.



yewdale **Defiant**<sup>®</sup>  
 FABRIC AND BLIND SYSTEMS



yewdale **Kestrel**<sup>®</sup>  
 MAGNETIC ANTI-LIGATURE SYSTEM



yewdale **Movatrack**<sup>®</sup>  
 CUBICLE AND TRACK SYSTEMS



yewdale **Harrier**<sup>®</sup>  
 CUBICLE AND SHOWER CURTAINS



yewdale **Vitesse**<sup>®</sup>  
 CURTAIN TRACK SYSTEMS